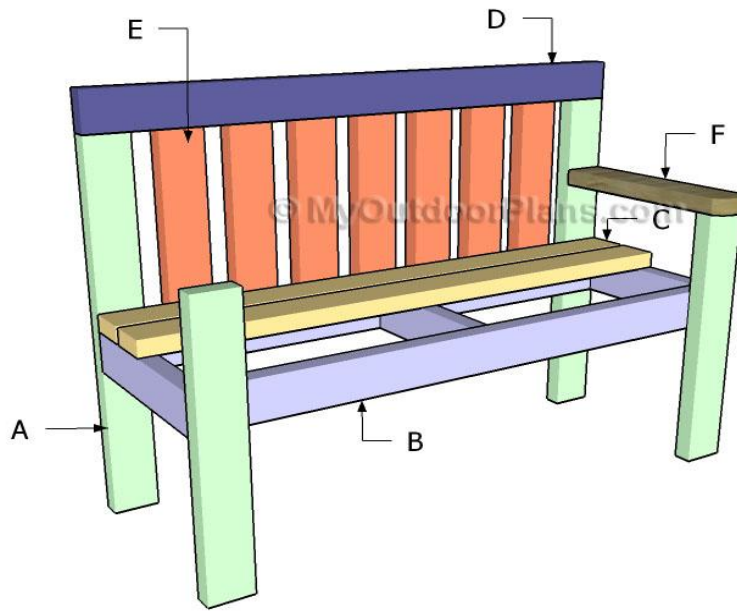


MyOutdoorPlans.com

By Julian King



[2X4 GARDEN BENCH]



CUT LIST

- **A** – 2 pieces of 2×4 lumber – 24" long, 2 pieces – 32 1/2" long **LEGS**
- **B** – 2 pieces of 2×4 lumber – 45" long, 2 pieces – 15 1/2" long, 1 piece – 12 1/2" long **SEAT FRAME**
- **C** – 4 pieces of 2×4 – 48" long **SEAT**
- **D** – 1 piece of 2×4 lumber – 48" long **TOP SLAT**
- **E** – 7 pieces of 2×4 lumber – 16" long **BACKCREST**
- **F** – 2 pieces of 2×4 lumber – 18" long **ARMREST**

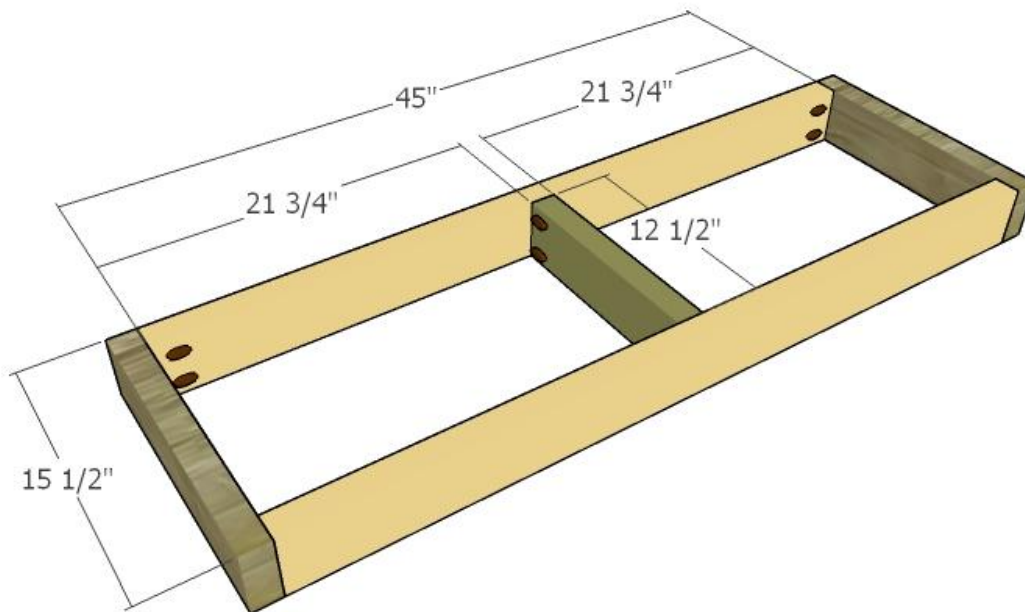
MATERIALS

- 7 pieces of 2x4 lumber 8'
- [100 pieces of 2 1/2" screws](#)
- [waterproof glue](#)

TOOLS

- [Hammer, Tape measure, Framing square, Level](#)
- [Miter saw, Jigsaw, Drill machinery, Screwdriver, Sander](#)
- [Safety Gloves, Safety Glasses](#)

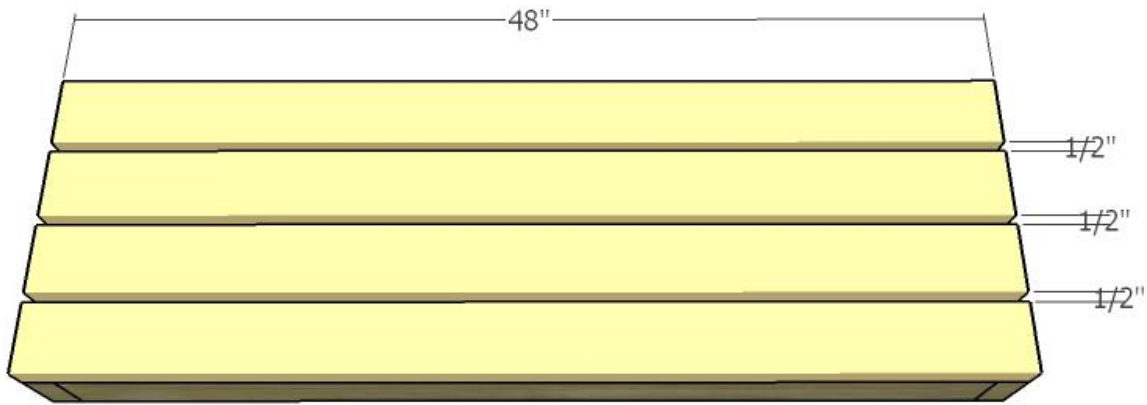
STEP 1 | Building the frame



The first step of the project is to assemble the seat frame for the 2×4 bench. Cut the components at the right dimensions and smooth the ends with sandpaper. Drill pocket holes at both ends at both ends of the 45" long components and insert 2 1/2" screws into the perpendicular slats.

Make sure the corners are square and add waterproof glue for a proper bond. Drill pocket holes at both ends of the middle support and insert 2 1/2" screws into the seat frame. Align the edges before inserting the screws.

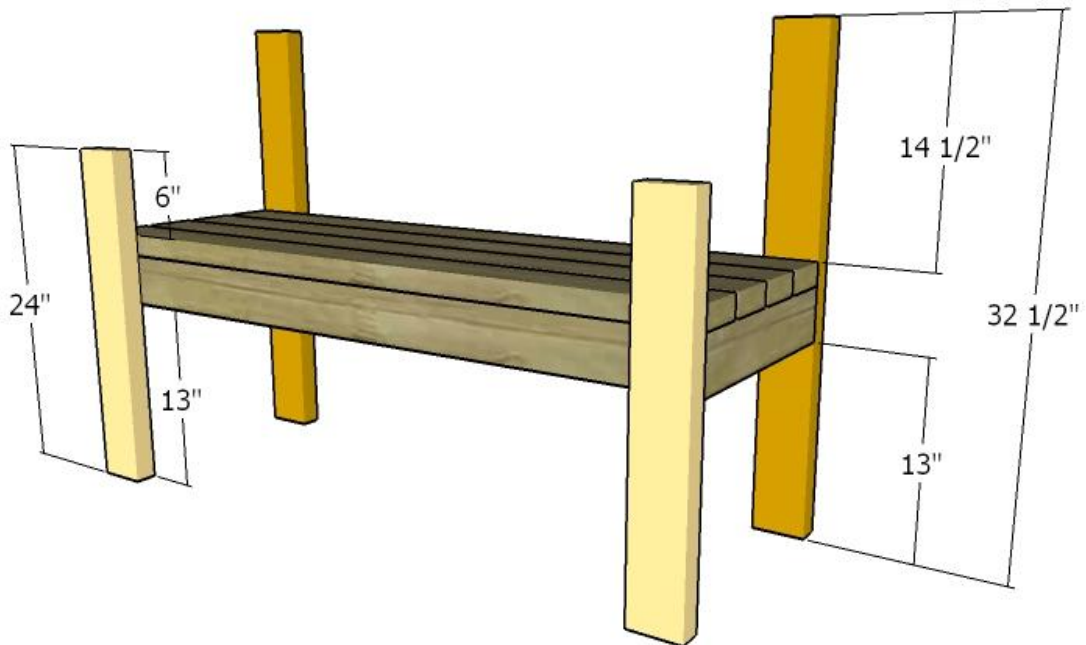
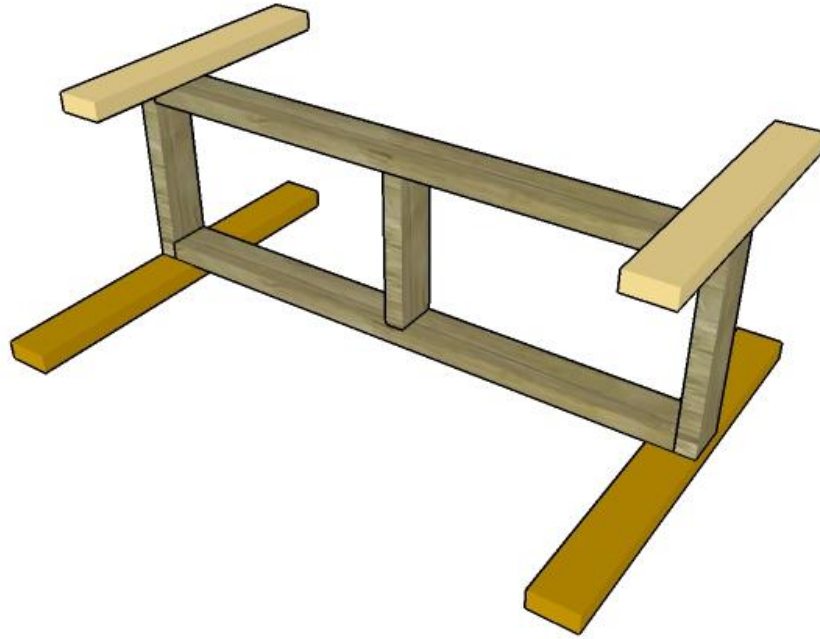
STEP 2 | Attaching the seat slats



Next, you need to attach the 2×4 slats to the frame. Align the edges with attention and make sure the slats are equally-spaced. Drill pilot holes and insert 2 1/2" screws to secure the slats into place. You can place a 1/2" wood block between the slats to get a professional result and equal gaps.

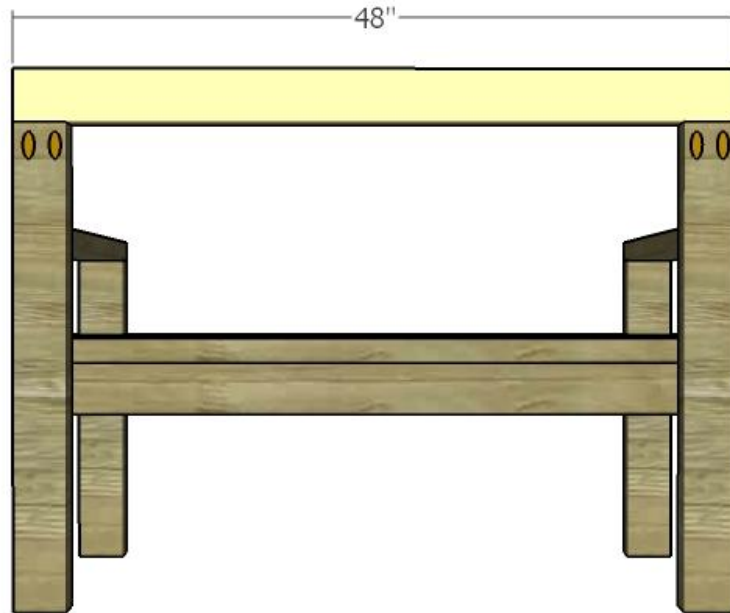
Countersink the head of the screws so that the head of the screws are flush with the surface. Use an impact driver so you don't damage the wood by applying too much force.

STEP 3 | Attaching the legs



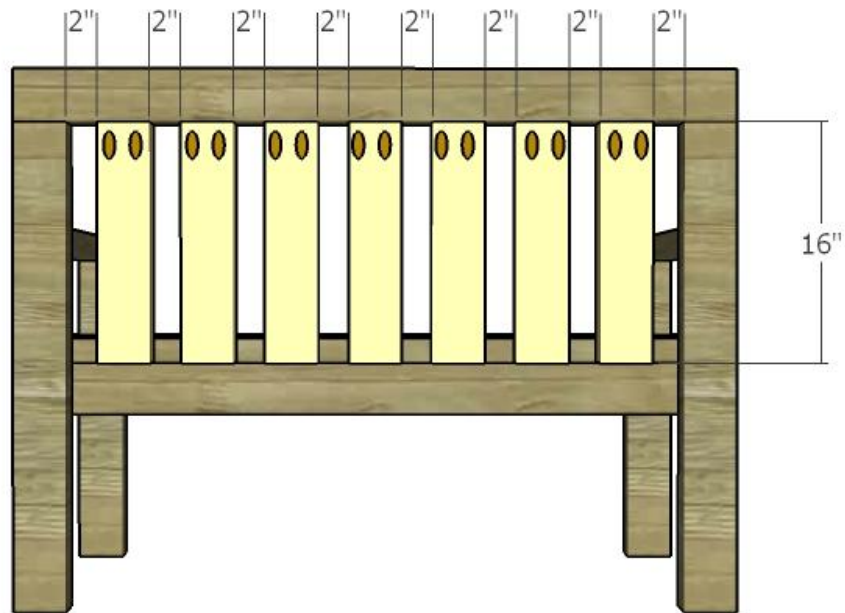
Cut the legs at the right dimensions, using 2×4 lumber. Fit the legs to the seat, drill pilot holes from the inside and insert 2 1/2" screws into the legs. Make sure the corners are square before inserting the screws. Add waterproof glue to the joints.

STEP 4 | Attaching the top support



Drill pocket holes along the top of the back legs. Attach the top component, making sure the edges are flush. Insert 2 1/2" screws to lock the components together, leaving no gaps. Add waterproof glue to the joints, to add more support to the joints.

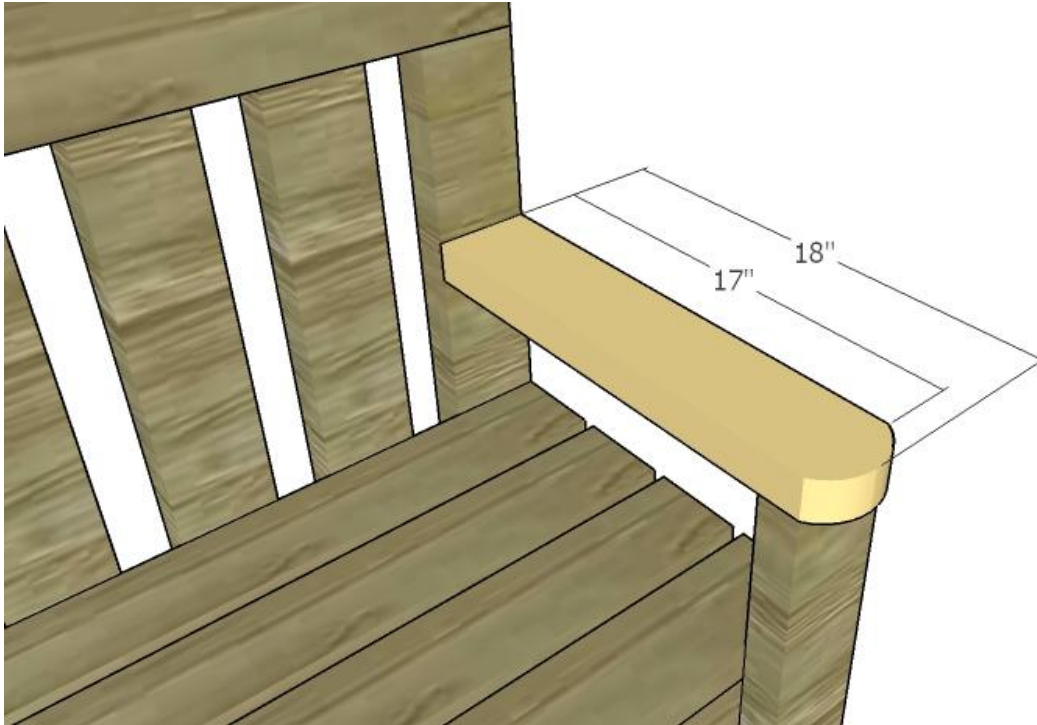
STEP 5 | Attaching the backrest slats



Building the backrest for the 2×4 bench can be done in a few ways, but the most straight-forward would be to attach vertical slats to the frame.

Drill pocket holes along the top of the slats and insert 2 1/2" screws into the frame. You can adjust the gaps between the slats according to your needs, by placing more or less slats. Drill pilot holes through the bottom of the slats and insert 2 1/2" screws into the seat frame.

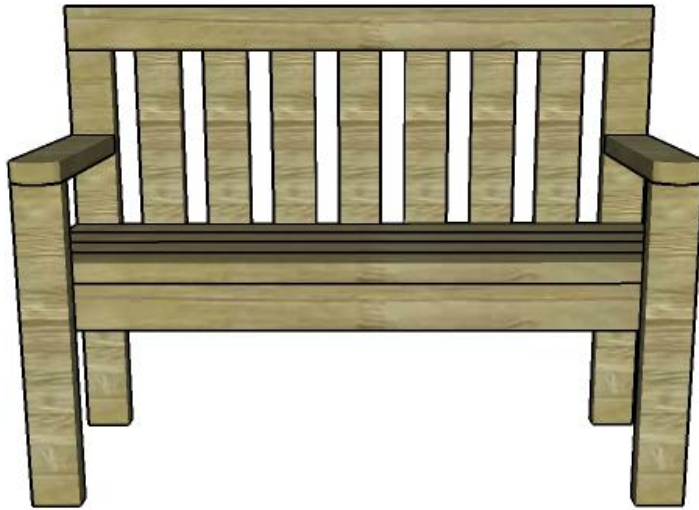
STEP 6 | Attaching the armrest supports



One of the last steps of the project is to attach the 2×4 armrests to the bench. If you want to enhance the look of the rustic bench, we strongly recommend you to round the armrest using a jigsaw.

Smooth the edges with sandpaper. Use 2 1/2" screws to secure the armrests to the frame of the bench. Drill pilot holes through the armrests before securing them to the frame, to prevent the wood from splitting. Drill pilot holes through the back legs and insert 2 1/2 " screws in the armrests. Countersink the head of the screws.

STEP 7 | Finishing touches



One of the last steps of the woodworking project is to take care of the finishing touches. Therefore, fill the pilot holes with wood putty and smooth the surface with 120-220 grit sandpaper. You can use wood plugs to fill the pocket holes as, well.

Top Tip: If you want to enhance the look of the woodworking project and to protect the 2x4 bench from decay, we recommend you to cover the components with paint or stain. Apply a few coats of poly to seal the finish and to protect the wood from the elements.

EXTRA IMAGES

